



COMPANY INTRODUCTION





CONTENTS



- COMPANY**
- PRODUCT**
- PACKAGE**
- CONTACT US**

WE DO WHAT WE SAID !



COMPANY

GROUP STRUCTURE

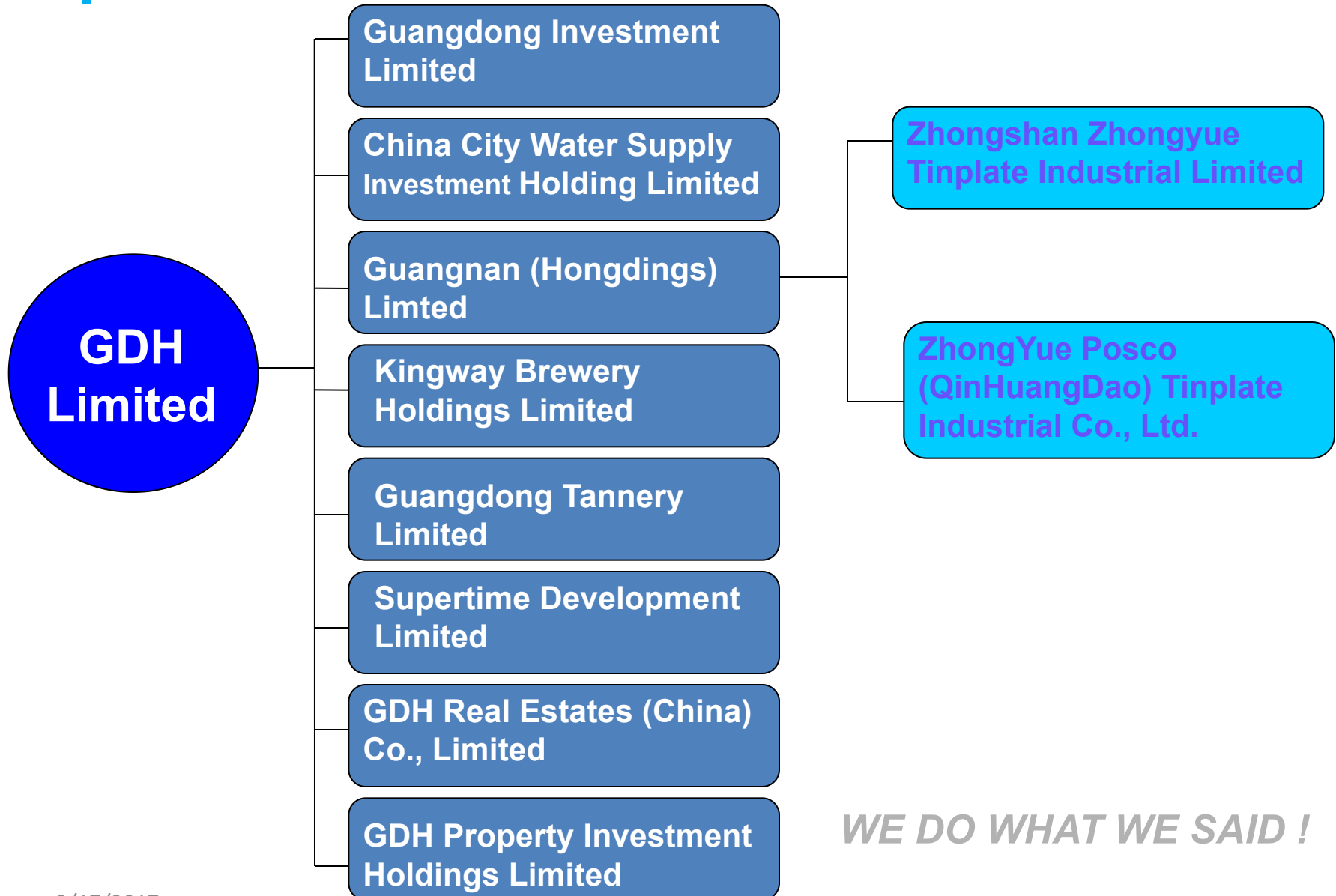


GDH Limited ("GDH") is an investment holding company established by the former Guangdong Enterprises (Holdings) Limited, NamYue (Group) Company Limited, and the Guangdong Province Dongshen Water Supply Management Bureau. GDH is currently the largest Guangdong conglomerate operating outside Mainland China. In 2009 it had 12,000 employees and a total asset value of HK\$48 billion. Of its 62 operating subsidiaries, four are listed on the Stock Exchange of HongKong.

WE DO WHAT WE SAID !



GROUP STRUCTURE



WE DO WHAT WE SAID !



COMPANY

ZHONGYUE HISTORY



Zhongshan Zhongyue Tinplate Industrial Co. Ltd. is an exclusively foreign-owned enterprise invested by Guangnan (Holdings) Limited that is a listed company in Hongkong, established in 1989 with a total investment of US \$ 117364200, of which US \$ 68006200 being the registered capital and RMB865 million being the fix assets. The company is principally engaged in the production and trading of tinplate, tin-free steel (TFS) and further processed products such as coated/printed tinplate / tin-free steel, as well as black plate(cold-rolled steel plate), with an annual output of 370000 tons of tinplate/tin-free steel, 60000 tons of coated/printed tinplate/tin-free steel, 150000 tons of black plate(cold-rolled steel plate).

WE DO WHAT WE SAID !



ENTERPRISE HONOR





PRODUCT

Facility

- 1 plant for tinplate/TFS (4 lines);
- 1 plant for cold roll (1 line);
- 1 plant for printing & lacquering (3 printing line, 3 lacquering line)

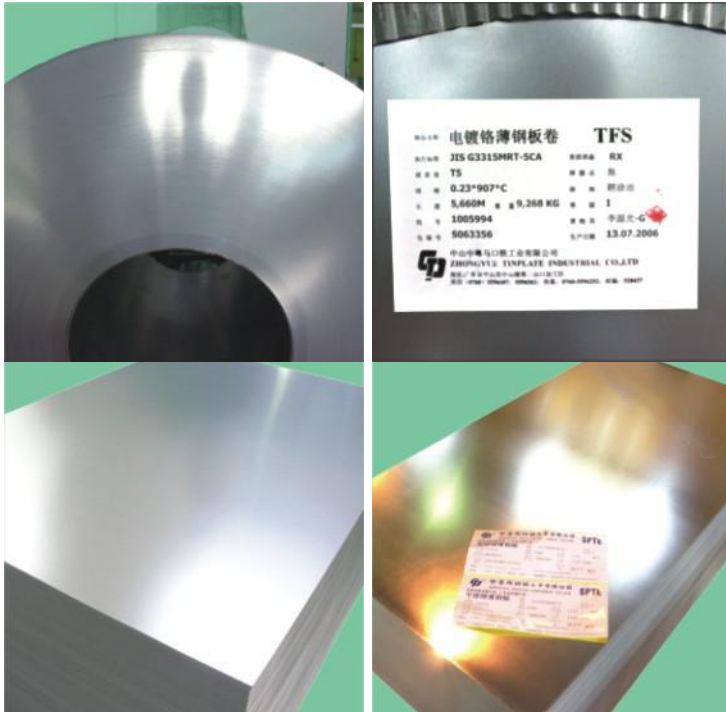
Product

- Tinplate (DR/ SR; Plain/Printed; Straight/Scrolled)
- Tin Free Steel (DR/ SR; Plain/Printed; Straight/Scrolled)
- Cold Roll Coils (Self Use Only)



PRODUCT

SPECIFICATION



PRODUCT SPECIFICATION	
THICKNEES:	0.15-0.45MM
WIDTH:	700-1000MM
LENGTH:	500-1500MM
TEMPER:	T1-T5, DR7.5-DR9
ANNEAL :	BA/ CA
TIN COATING:	1.1-13.5 G/M2
COIL ID:	420/508MM
COIL WEIGHT:	MAX. 10MT/COIL
SKID WEIGHT:	MAX. 1.6MT/SKID



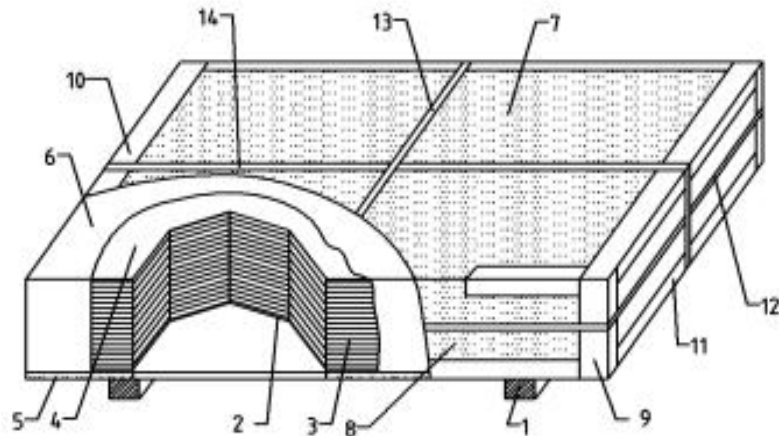
CERTIFICATE

ISSUED BY	CERTIFICATION	VALIDITY
CEPREI	ISO14001:2004	2015.07.15-2018.07.14
	ISO9001:2008	2.017.07.13-2018.07.12
	OHSAS18001:2007	2015.07.10-2018.07.09
SGS	Food Safety System Certification 22000:2011	2014.05.21-2017.05.21
CQC	Energy Performance Index & Energy Consumption Calculation Boundary	2015.05.20-2018.08.11

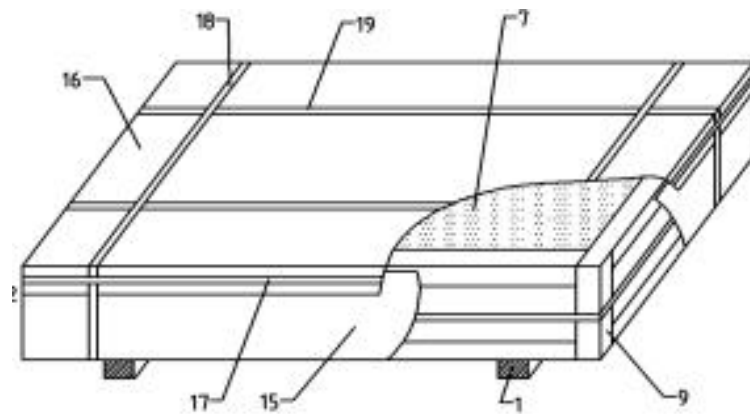


PACKAGE

SHEET FORM



- 1 – WOOD PALLET ;
- 2 – BOTTOM COVER ;
- 3 – TINPLATE/TFS ;
- 4 – TOP COVER ;
- 5 – FIBREBOARD ;
- 6 – COMPOUND PACKAGING PAPER ;
- 7 – TOP CORRUGATED PAPER ;
- 8 – SIDE CORRUGATED PAPER ;
- 9 – SIDE CORNER GUARD ;

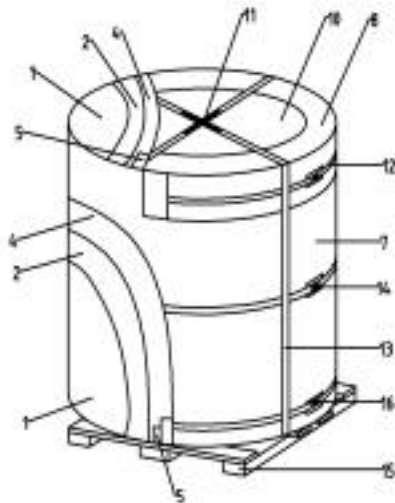


- 10 – TOP CONER GUARD ;
- 11 – BOTTOM CONER GUARD ;
- 12 – CIRCUMFERENTIAL BANDING STRIP(INNER) ;
- 13 – HORIZONTAL BANDING STRIP (INNER) ;
- 14 – VERTICAL BANDING STRIP(INNER) ;
- 15 – GRARD PLATE ;
- 16 – STEEL PACKAGE BOX ;
- 17 – CIRCUMFERENTIAL BANDING STRIP(OUTER) ;
- 18 – HORIZONTAL BANDING STRIP (OUTER) ;
- 19 – VERTICAL BANDING STRIP(OUTER) ;

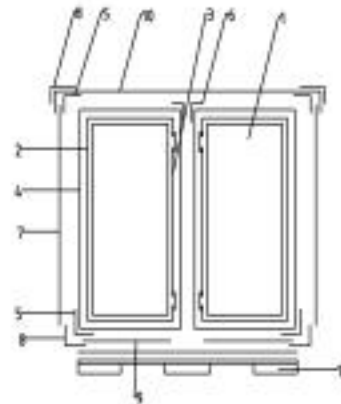


PACKAGE

COIL FORM



- 1—TINPLATE/ TFS COIL;
- 2—RUST-PROOF PAPER(OUTTER)
- 3—RUST-PROOF PAPER (INNER);
- 4—PLASTIC FILM;
- 5—PAPER EXTERNAL CORNER GUARD;
- 6—PAPER INTERNAL CORNER GUARD;
- 7—EXTERNAL WRAPPING PLATE;
- 8—IRON EXTERNAL CORNER GUARD;



- 9—FIBREBOARD;
- 10—METAL CAP;
- 11—CROSS LOCK;
- 12—CIRCUMFERENTIAL BANDING STRIP;
- 13—CROSS BANDING STRIP;
- 14—SHIM FOR LOCK;
- 15—WOODEN PALLET;
- 16—LOCK

PACKAGE

PHOTOS

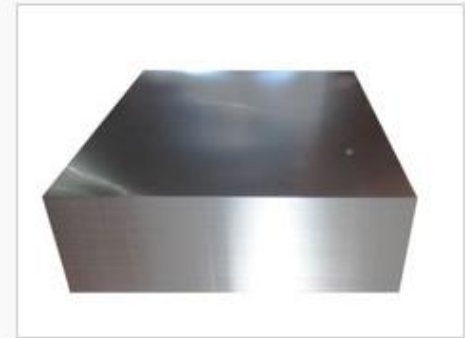
Tinplate



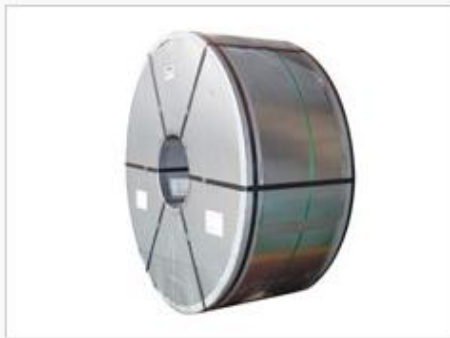
Tinplate coil2



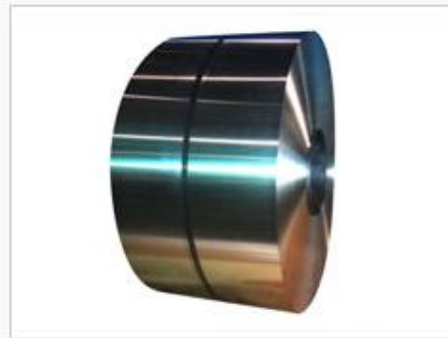
Tinplate substrate1



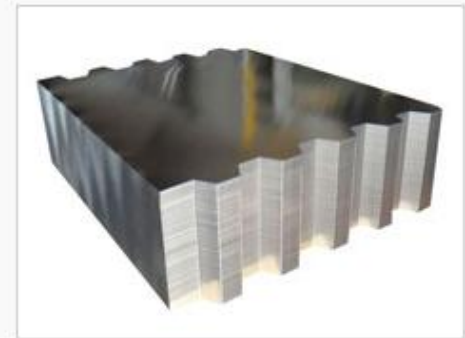
Tin plate2



Tinplate coil



Tinplate

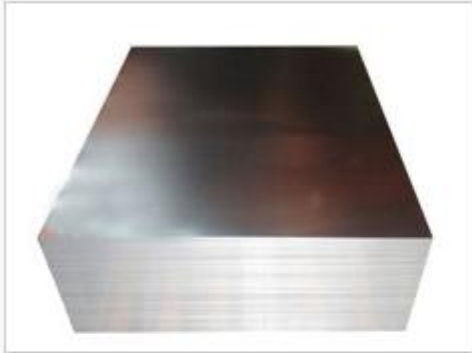


Tin plate

PACKAGE

PHOTOS

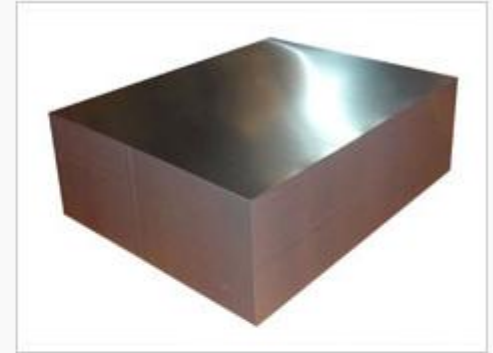
TFS (Tin Free Steel)



Chrome plate1



Tinplate coil2



Chrome plate



Chrome plate2

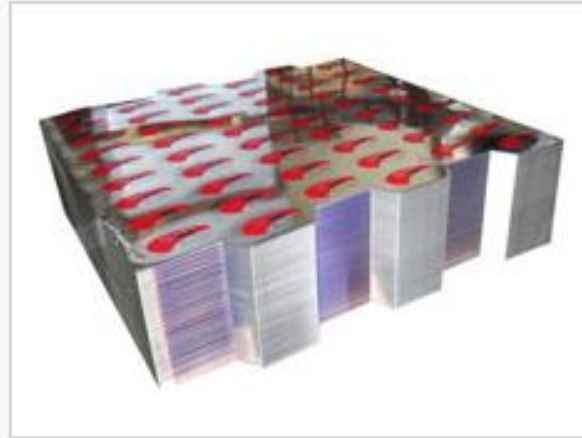
PACKAGE

PHOTOS

Lacquered or printed sheet



Lacquered or printed sheet1



Lacquered or printed sheet2